

INSTALLATION INSTRUCTIONS

GENERAL INFORMATION

The No. 5715 Universal Transmitter, intended for use as part of an ALERT III (5700 or 4280 based) Wireless Alarm System, contains a miniature battery-powered transmitter which can send alarm, supervisory and battery condition messages to the system's receiver/control unit. Designed to provide protection via a protective loop, the No. 5715 features open circuit burglary/fire capability for use with mats or thermostats, or closed circuit capability for use with contacts, glass break sensors, etc.

Principal Features

- Usable either in an open circuit loop configuration or a closed circuit loop (DIP switch selectable).
- Installer-selectable loop response - 250 msec (normal) or 4 msec (fast) (DIP switch selectable)
- Built-in cover tamper switch for use when the transmitter is set for closed circuit burglary usage (DIP switch selectable).
- 9 volt Lithium batteries provide extended life of up to 5 years (5 year service not yet approved for UL installations).

INSTALLATION PROCEDURE

1. Select a location for the No. 5715. If necessary, refer to the instructions that accompany the receiving System for general information on the installation and use of transmitters. (A good transmission path should be established before permanently installing the No. 5715).
2. Remove the No. 5715's cover (refer to Diagram 1 for location of pry-off slot).
Set the 12-position DIP switch (Switch #2) for the assigned "House ID" (DIP switch positions 1 thru 5) and "Transmitter ID" (DIP switch positions 6 thru 11) as described in the system's instructions. Refer to Diagram 2 herein also.
3. Set position 12 of DIP Switch #2 for either open circuit or closed circuit use, as necessary (see Diagram 2).
4. If a tampered cover is desired, set position 2 of switch #1 as indicated in Diagram 2. **The tamper switch is to be used only when the transmitter is set for closed circuit burglary usage.** Do not attempt to use the tamper when the transmitter address is configured for Fire Alarm transmission.
5. Select loop response by setting position 1 on DIP Switch #1 to the ON or OFF position (see Diagram 2). Use the fast response position (OFF) with glass break sensors or vibration contacts (e.g., Window Bug or No. 11).
6. Connect protective loop wires to the two terminals in the transmitter (see Diagram 3). Insert the bared end of each wire into a terminal opening and tighten screw securely. Route the loop wires only as shown - do not route wires near the printed circuit board components as reduced transmission range may result.
7. Mount the transmitter with two screws (use slotted opening for one screw and round hole for the other). See Diagram 1. If desired, the transmitter may be mounted with double-sided tape instead.
8. Referring to Diagram 1, install the 9-volt battery into the battery compartment as follows: first insert the terminal end of the 9V battery into the terminal guides in the compartment, with the battery oriented in accordance with the polarity markings provided; then push the other end of the battery down into position. Replace the transmitter cover.
Note that the terminal guide slots provided in the battery compartment are of different widths to ensure correct insertion of the battery with regard to polarity. If the battery is incorrectly oriented, the battery terminals will not enter the guide slots.
9. For information on testing, operation, etc., see the instructions that accompany the receiving system.
10. For a UL Listed System, normally-open initiating devices may be used only if the device is not farther than 3 feet from the transmitter, with no wall or ceiling between the two.

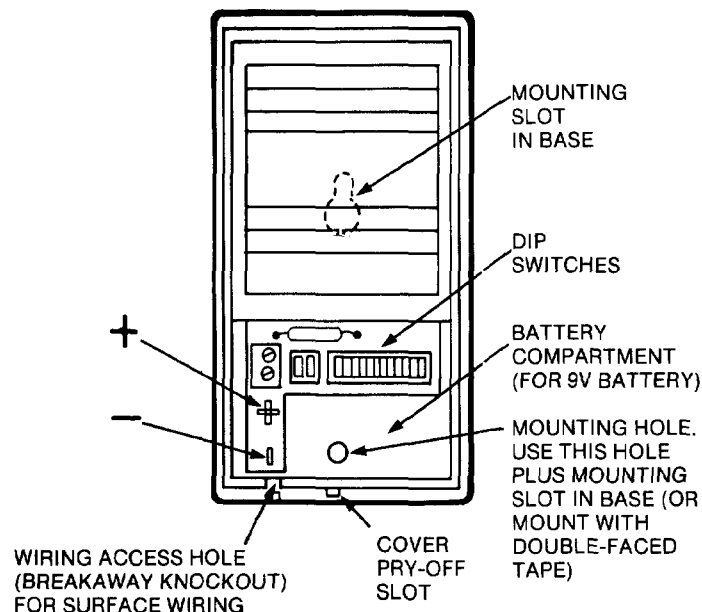
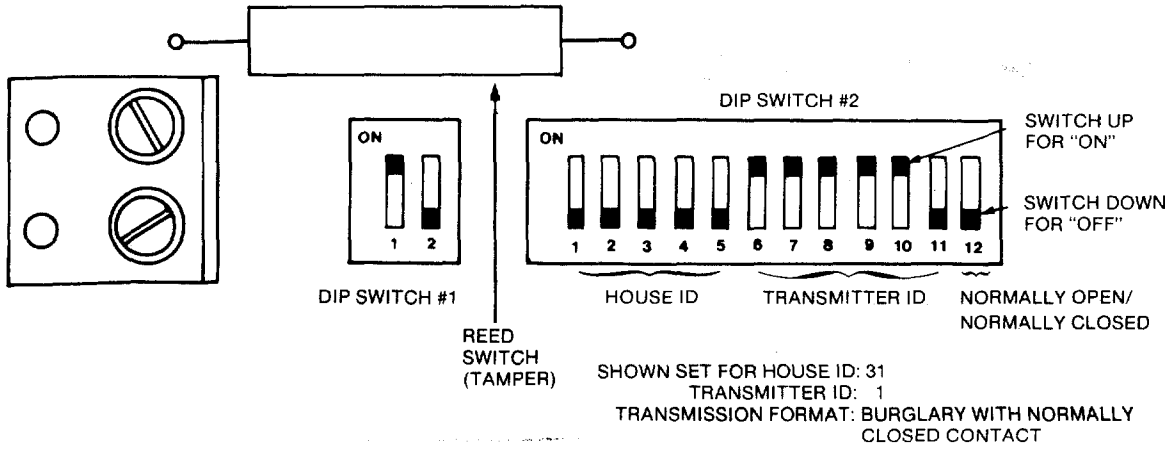


Diagram 1. No. 5715, INSTALLATION DETAILS



SWITCH #1

POSITION 1

OFF: FAST LOOP RESPONSE (4 MSEC)
 ON: NORMAL LOOP RESPONSE (250 MSEC)

POSITION 2

ON: TAMPERED COVER NOT USED
 OFF: TAMPERED COVER DESIRED. USE ONLY WHEN TRANSMITTER SET FOR CLOSED CIRCUIT BURGLARY OPERATION.

SWITCH #2

POSITION 12

OFF: NORMALLY CLOSED CONTACT, FAULT ON CONTACT OPEN.
 ON: NORMALLY OPEN CONTACT, FAULT ON CONTACT CLOSED.

HOUSE I.D. #	DIP SWITCH POSITIONS				
	1	2	3	4	5
1	on	on	on	on	OFF
2	on	on	on	OFF	on
3	on	on	on	OFF	OFF
4	on	on	OFF	on	on
5	on	on	OFF	on	OFF
6	on	on	OFF	OFF	on
7	on	on	OFF	OFF	OFF
8	on	OFF	on	on	on
9	on	OFF	on	on	OFF
10	on	OFF	on	OFF	on
11	on	OFF	on	OFF	OFF
12	on	OFF	OFF	on	on
13	on	OFF	OFF	on	OFF
14	on	OFF	OFF	OFF	on
15	on	OFF	OFF	OFF	OFF
16	OFF	on	on	on	on
17	OFF	on	on	on	OFF
18	OFF	on	on	OFF	on
19	OFF	on	on	OFF	OFF
20	OFF	on	OFF	on	on
21	OFF	on	OFF	on	OFF
22	OFF	on	OFF	OFF	on
23	OFF	on	OFF	OFF	OFF
24	OFF	OFF	on	on	on
25	OFF	OFF	on	on	OFF
26	OFF	OFF	on	OFF	on
27	OFF	OFF	on	OFF	OFF
28	OFF	OFF	on	on	on
29	OFF	OFF	OFF	on	OFF
30	OFF	OFF	OFF	on	OFF
31	OFF	OFF	OFF	OFF	OFF

TRANS. ID #	DIP SWITCH POSITIONS					
	6	7	8	9	10	11
1	on	on	on	on	on	OFF
2	on	on	on	on	OFF	on
3	on	on	on	on	OFF	OFF
4	on	on	on	on	OFF	on
5	on	on	on	on	OFF	on
6	on	on	on	on	OFF	OFF
7	on	on	on	on	OFF	OFF
8	on	on	OFF	on	on	on
9	on	on	OFF	on	on	OFF
10	on	on	OFF	on	OFF	on
11	on	on	OFF	on	OFF	OFF
12	on	on	OFF	OFF	on	on
13	on	on	OFF	OFF	on	OFF
14	on	on	OFF	OFF	OFF	on
15	on	on	OFF	OFF	OFF	OFF
16	on	OFF	on	on	on	on
17	on	OFF	on	on	on	OFF
18	on	OFF	on	on	OFF	on
19	on	OFF	on	on	OFF	OFF
20	on	OFF	on	on	OFF	on
21	on	OFF	on	on	on	OFF
22	on	OFF	on	on	OFF	on
23	on	OFF	on	on	OFF	OFF
24	on	OFF	OFF	on	on	on
25	on	OFF	OFF	on	on	OFF
26	on	OFF	OFF	on	on	on
27	on	OFF	OFF	on	on	OFF
28	on	OFF	OFF	OFF	on	on
29	on	OFF	OFF	OFF	on	OFF
30	on	OFF	OFF	OFF	OFF	on
31	on	OFF	OFF	OFF	OFF	OFF
32	OFF	on	on	on	on	on
33	OFF	on	on	on	on	OFF
34	OFF	on	on	on	OFF	on
35	OFF	on	on	on	OFF	OFF
36	OFF	on	on	OFF	on	on
37	OFF	on	on	OFF	on	OFF
38	OFF	on	on	OFF	OFF	on
39	OFF	on	on	OFF	OFF	OFF
40	OFF	on	OFF	on	on	on
41	OFF	on	OFF	on	on	OFF
42	OFF	on	OFF	on	OFF	on
43	OFF	on	OFF	on	OFF	OFF
44	OFF	on	OFF	OFF	on	on
45	OFF	on	OFF	OFF	on	OFF
46	OFF	on	OFF	OFF	OFF	on
47	OFF	on	OFF	OF	OFF	OFF
48	OFF	OFF	on	on	on	on
49	OFF	OFF	on	on	on	OFF
50	OFF	OFF	on	on	OFF	on
51	OFF	OFF	on	on	OFF	OFF
52	OFF	OFF	on	OFF	on	on
53	OFF	OFF	on	OFF	on	OFF
54	OFF	OFF	on	OFF	OFF	on
55	OFF	OFF	on	OFF	OFF	OFF
56	OFF	OFF	OFF	on	on	on
57	OFF	OFF	OFF	on	on	OFF
58	OFF	OFF	OFF	on	OFF	on
59	OFF	OFF	OFF	on	OFF	OFF
60	OFF	OFF	OFF	OFF	on	on
61	OFF	OFF	OFF	OFF	on	OFF
62	OFF	OFF	OFF	OFF	OFF	on
63	OFF	OFF	OFF	OFF	OFF	OFF

INCLUDES 3-MINUTE TRANSMIT-INHIBIT DELAY

FIRE, AUXILIARY, PANIC AND EMERGENCY TRANSMISSION FORMATS (REPEATS WHILE FAULTED)

48
55
56
58
59
61
62
63

FIRE
FIRE/AUX
AUX
PANIC
EMERG

Diagram 2. DIP SWITCH SETTINGS FOR No. 5715

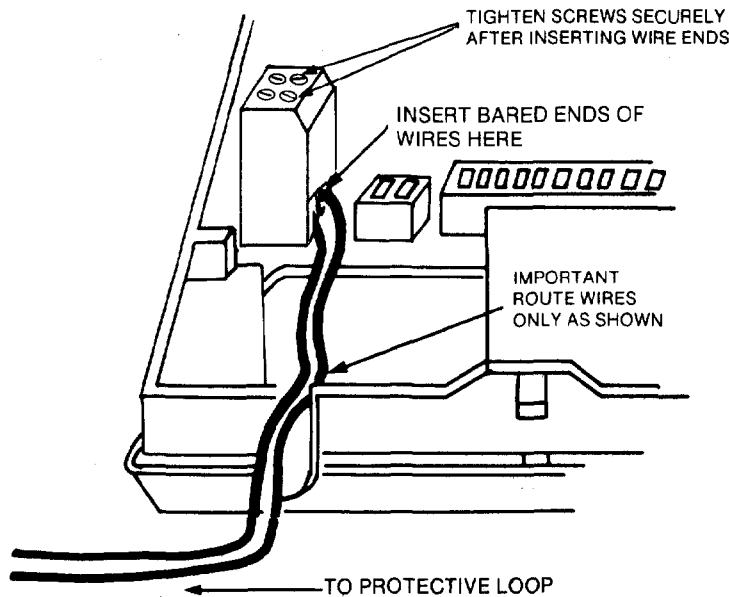


Diagram 3. No. 5715 WIRING CONNECTIONS

GENERAL SPECIFICATIONS

Physical: 4-13/16" (122 mm) H, 2-9/16" (65 mm) W, 15/16" (24 mm) D.

Electrical: **Voltage:** 9V Lithium battery (Ademco No. 465 or Kodak U9VL) can provide extended life of up to 5 years (5-year service not yet approved for UL installations). 9V Alkaline battery (Ademco No. 464, Eveready 522, or Duracell MN1604) may be used.

Battery should be changed annually*, or within 30 days after a low battery message indication (7 days if the transmitter is activated on a frequent daily basis), whichever occurs sooner.

*Within 5 years if using Lithium batteries in a non-UL Listed installation.

Loop: 250 msec response (normal) or 4 msec response (rapid), installer-selectable.

Limit loop resistance to 10,000 ohms max (closed circuit configuration).

Range: 200 feet nominal (60m), indoor.

TO THE INSTALLER

Regular maintenance and inspection (at least annually) by the installer and frequent testing by the user are vital to continuous satisfactory operation of any alarm system.

The installer should assume the responsibility of developing and offering a regular maintenance program to the user as well as acquainting the user with the proper operation and limitations of the alarm system and its component parts. Recommendations must be included for a specific program of frequent testing (at least weekly) to insure the system's proper operation at all times.

REFER TO THE INSTALLATION INSTRUCTIONS FOR THE ALERT III WIRELESS ALARM SYSTEM FOR DETAILS REGARDING LIMITATIONS OF THE ENTIRE ALARM SYSTEM.

**ADEMCO
LIMITED WARRANTY**

Alarm Device Manufacturing Company, a Division of Pittway Corporation, and its divisions, subsidiaries and affiliates ("Seller"), 165 Eileen Way, Syosset, New York 11791, warrants its products to be in conformance with its own plans and specifications and to be free from defects in materials and workmanship under normal use and service for 18 months from the date stamp control on the product or, for products not having an Ademco date stamp, for 12 months from date of original purchase unless the installation instructions or catalog sets forth a shorter period, in which case the shorter period shall apply. Seller's obligation shall be limited to repairing or replacing, at its option, free of charge for materials or labor, any part which is proved not in compliance with Seller's specifications or proves defective in materials or workmanship under normal use and service. Seller shall have no obligation under this Limited Warranty or otherwise if the product is altered or improperly repaired or serviced by anyone other than Ademco factory service. For warranty service, return product transportation prepaid, to Ademco Factory Service, 165 Eileen Way, Syosset, New York 11791.

THERE ARE NO WARRANTIES, EXPRESS OR IMPLIED, OF MERCHANTABILITY, OR FITNESS FOR A PARTICULAR PURPOSE OR OTHERWISE, WHICH EXTEND BEYOND THE DESCRIPTION ON THE FACE HEREOF. IN NO CASE SHALL SELLER BE LIABLE TO ANYONE FOR ANY CONSEQUENTIAL OR INCIDENTAL DAMAGES FOR BREACH OF THIS OR ANY OTHER WARRANTY, EXPRESS OR IMPLIED, OR UPON ANY OTHER BASIS OF LIABILITY WHATSOEVER, EVEN IF THE LOSS OR DAMAGE IS CAUSED BY THE SELLER'S OWN NEGLIGENCE OR FAULT.

Seller does not represent that its product may not be compromised or circumvented; that the product will prevent any personal injury or property loss by burglary, robbery, fire or otherwise; or that the product will in all cases provide adequate warning or protection. Buyer understands that a properly installed and maintained alarm may only reduce the risk of a burglary, robbery or fire without warning, but it is not insurance or a guarantee that such will not occur or that there will be no personal injury or property loss as a result. CONSEQUENTLY, SELLER SHALL HAVE NO LIABILITY FOR ANY PERSONAL INJURY, PROPERTY DAMAGE OR OTHER LOSS BASED ON A CLAIM THE PRODUCT FAILED TO GIVE WARNING. However, if Seller is held liable, whether directly or indirectly, for any loss or damage arising under this Limited Warranty or otherwise, regardless of cause or origin, Seller's maximum liability shall not in any case exceed the purchase price of the product, which shall be the complete and exclusive remedy against Seller.

This warranty replaces any previous warranties and is the only warranty made by Seller on this product. No increase or alteration, written or verbal, of the obligation of this Limited Warranty is authorized.

ADEMCO

ALARM DEVICE MANUFACTURING CO.
A DIVISION OF PITTWAY CORPORATION
165 Eileen Way, Syosset, New York 11791